



Sink - Tara.

Single-hole lavatory mixer with drain - Dark Brass matte

Article number: 22 512 892-16 0010



- 5-3/8" Projection
- US drain with overflow
- Swiveling spout 360°
- Round aerated stream
- Total height 10-7/8"
- Height to aerator/spout outlet 6-5/8"
- 1-3/8" hole diameter
- Flange diameter 2-3/8"
- 2x 3/8" US flexible supply lines
- Water flow rate limited to max. 1.2 gpm
- lead-free
- (ADA)
- Suitable only for basins with overflow.

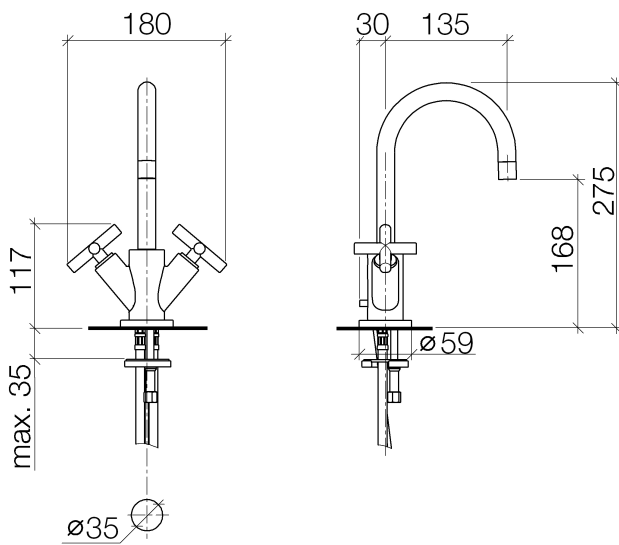


Dark Brass matte



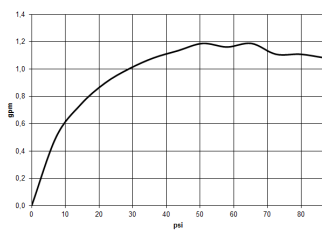
Sink - Tara.
Single-hole lavatory mixer with drain - Dark Brass matte
Article number: 22 512 892-16 0010

Dimensional drawing



All dimensions in mm / inch = mm x 0,0394

Flow rate chart





Sink - Tara.

Single-hole lavatory mixer with drain - Dark Brass matte

Article number: 22 512 892-16 0010

Other surface finishes



polished chrome

22 512 892-00 0010



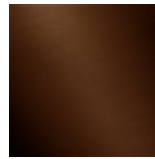
platinum matte

22 512 892-06 0010



platinum

22 512 892-08 0010



Dark Bronze matte

22 512 892-17 0010



black matte

22 512 892-33 0010

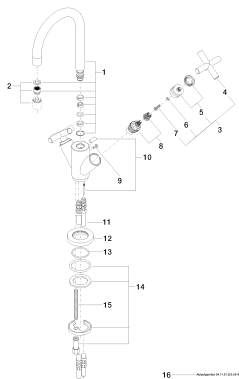


Dark Platinum matte

22 512 892-99 0010

More custom finish options are available via special production (xTra Service). Please see our finish matrix for availability and pricing or contact a Dornbracht representative.

Spare parts list



Number	Item Number	Designation	Number of units
--------	-------------	-------------	-----------------